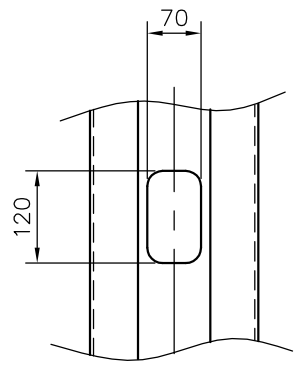
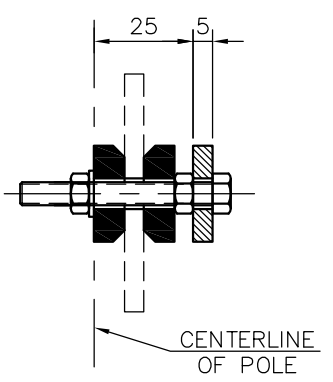


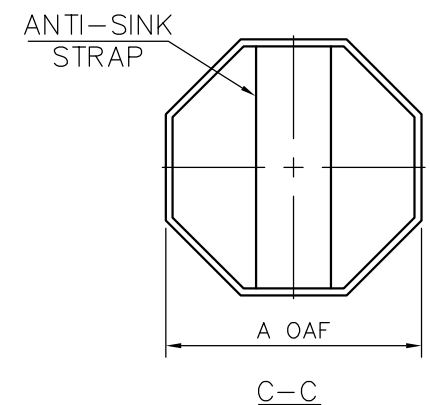
TOP DETAIL



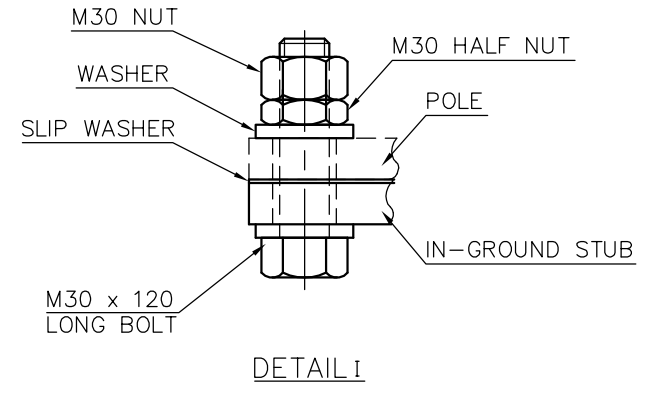
VIEW A



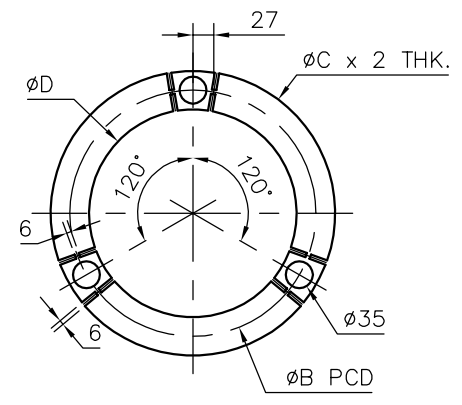
B-B



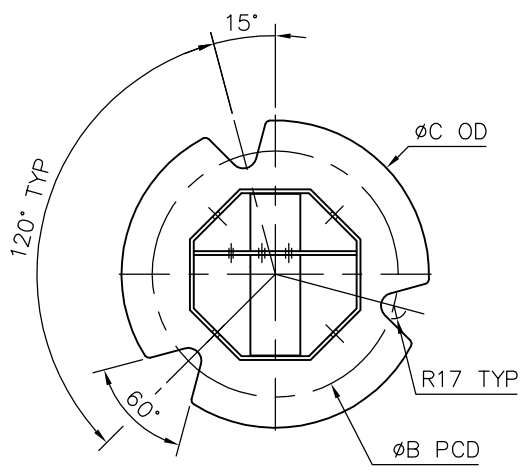
NOMINAL MOUNTING HEIGHT mm	A mm	B mm	C mm	D mm	L mm	E mm
6000	200	300	380	250	1500	1500
8000	200	300	380	250	1500	1500
10000	265	365	445	315	1500	1700
11000	265	365	445	315	2000	2000
12000	265	365	445	315	2000	2000
13500	300	400	480	350	2000	2200



DETAIL I



SLIP WASHER DETAIL



- NOTE:
- M30 BOLT TO BE GRADE 8.8
 - M30 NUT - CLASS 8
 - MATERIAL: POLE: ASTM A572 Gr65 TH=6mm
 - DO NOT USE THE SLIP BASE WASHER IF IT IS DAMAGED.
 - SURFACE:
HOT DIP GALVANIZED PER ASTM A123
SIGMA COATING ≥ 350um
 - SOIL TO BE 'GOOD GROUND' AS DETERMINED IN ACCORDANCE WITH THE REQUIREMENTS OF NZS 3604:2011
 - MAXIMUM OF 75mm PROTRUSION AFGL

 Columns & Streetlights 	 Gess Ltd. 12 Offenhauser Drive, East Tamaki, Auckland, 2013 P: 0800 43 77 00 Web: www.gess.co.nz

DWG SIZE	A4H	CLASS CODE	
CUSTOMER			
DESCRIPTION	IN-GROUND STUB SUIT SLIP BASE POLE		

Rev. 0	2016.05.04	ISSUED FOR CONSTRUCTION	DRAWN	CQ2	2016-05-04	MATERIAL		ORDER NO	
REV ID.	DATE	REVISION DESCRIPTION	CHECKED	CQ2	2016-05-04	THK(mm)		SCALE	N
							WT(kg)		P/N :GA SBGS3000