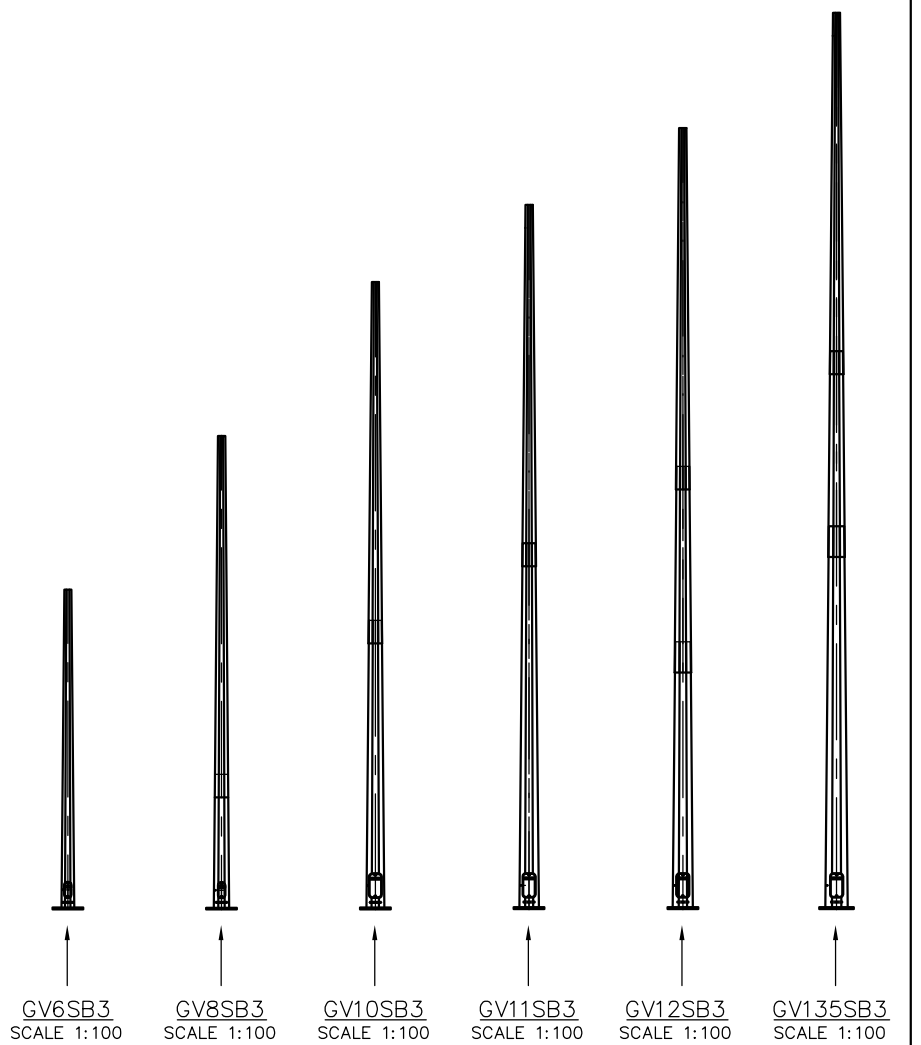
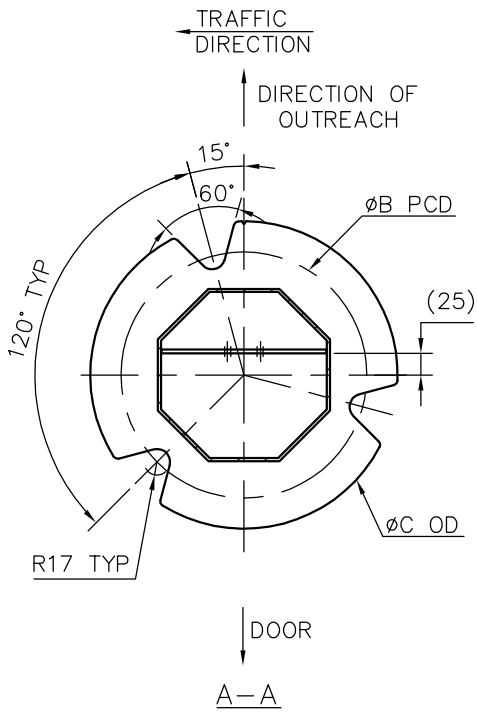
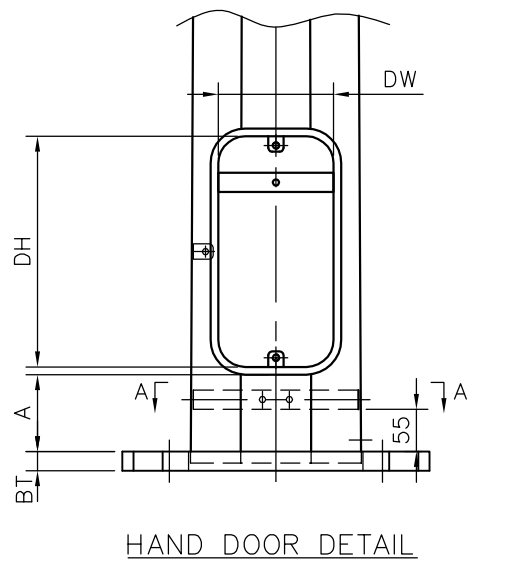
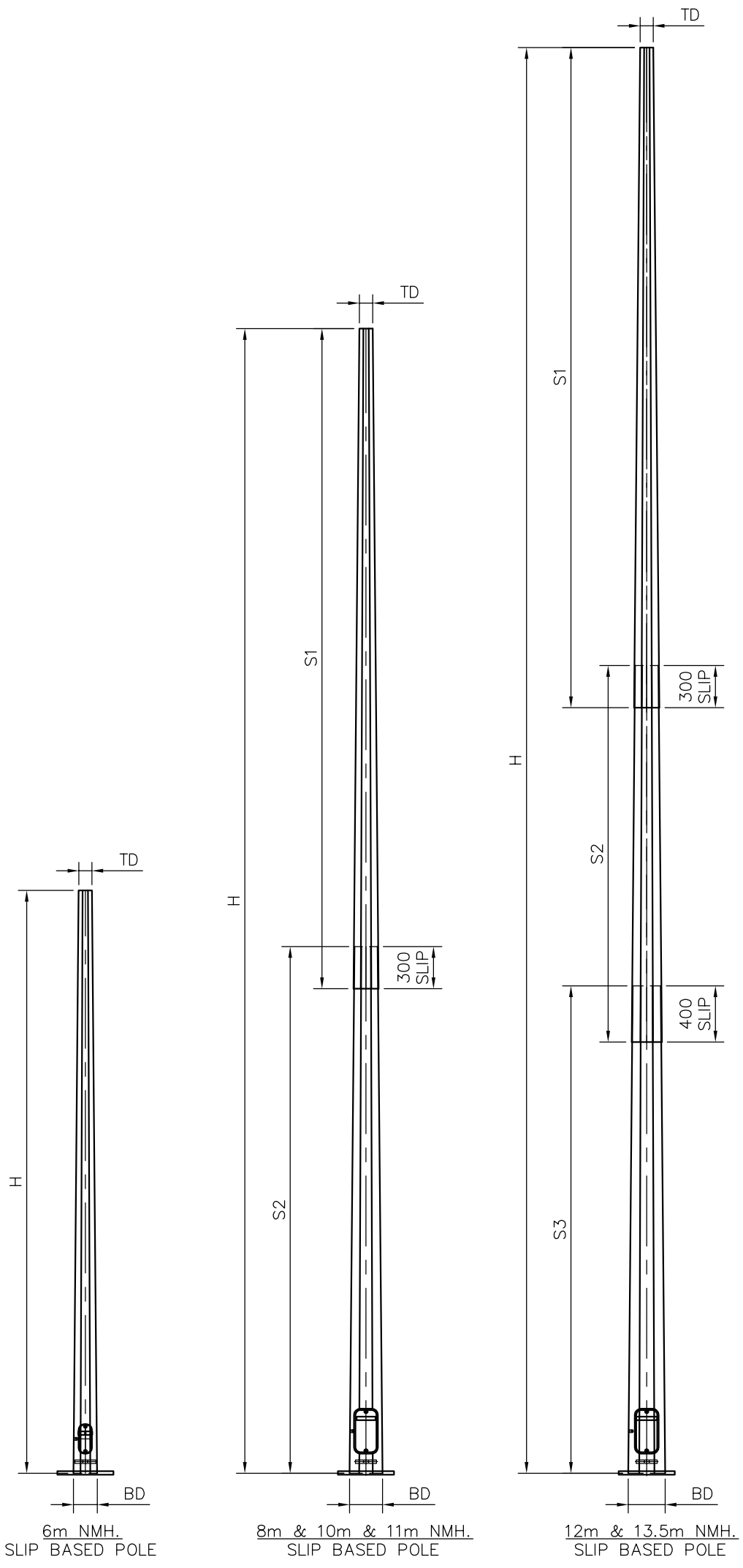


ORDER CODE	NOMINAL MOUNTING HEIGHT mm	POLE DETAIL										DOOR DETAIL		
		STANDARD										DOOR DETAIL		
		H mm	BD mm	TD mm	THK. mm	S1 mm	S2 mm	S3 mm	BT mm	B mm	C mm	A mm	DH mm	DW mm
GV6SB3	6000	4150	169	94	3	-	-	-	25	300	380	125	200	85
GV8SB3	8000	6150	198	94	3	4700	1750	-	25	300	380	125	200	85
GV10SB3	10000	8150	234	94	3	4700	3750	-	25	365	445	125	300	150
GV11SB3	11000	9150	252	94	3	4700	4750	-	25	365	445	125	300	150
GV12SB3	12000	10150	263	94	3	4700	2680	3470	25	365	445	125	300	150
GV135SB3	13500	11650	290	94	3	4700	2680	4970	25	400	480	125	300	150



NOTE:
 1. DESIGN CRITERIA: AS1170.2
 WIND REGION A & W
 TERRAIN CATEGORY 2
 2. MATERIAL:
 POLE: ASTM A572 Gr50, TH=3mm
 BASE PLATE: Q345B
 3. SURFACE:
 HOT DIP GALVANIZED PER ASTM A123

				Gess Ltd. 12 Offenhauser Drive, East Tamaki, Auckland, 2013 P: 0800 43 77 00 Web: www.gess.co.nz	
(Copyright. This design, information and drawing remain the property of GESS and may not be used or copied without approval in writing from GESS.)					
DWG SIZE A4H		CLASS CODE			
CUSTOMER		DESCRIPTION 6m 8m 10m 11m 12m & 13.5m POLE			
DRAWN CQ2 2016-05-04	MATERIAL	ORDER NO		SCALE N	
ENGR CQ2 2016-05-04	THK(mm)	P/N :GA SBSLC2000		WT(kg)	
CHECKED	SPECIFICATIONS				
REV ID.	DATE	REVISION DESCRIPTION		P/N :GA SBSLC2000	

6m NMH.
 SLIP BASED POLE

8m & 10m & 11m NMH.
 SLIP BASED POLE

12m & 13.5m NMH.
 SLIP BASED POLE