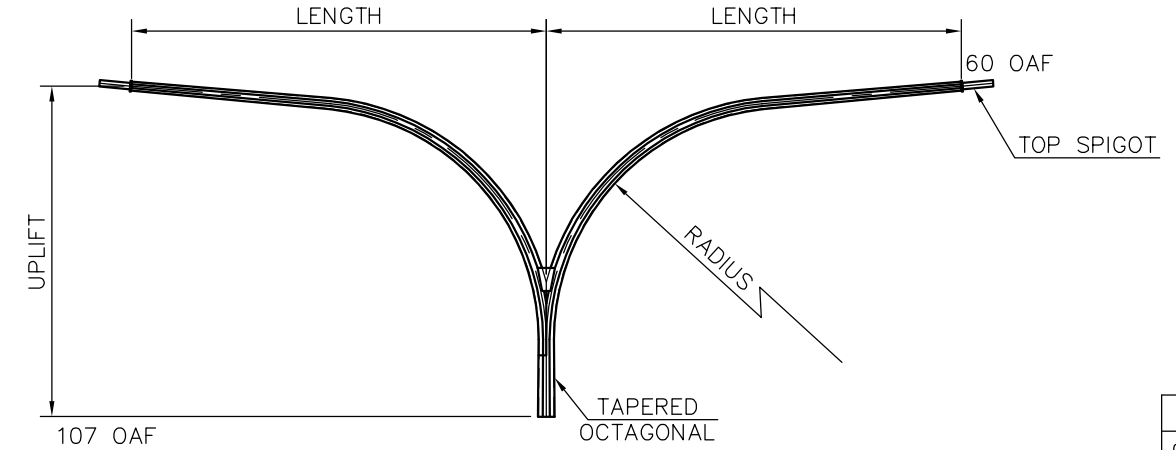
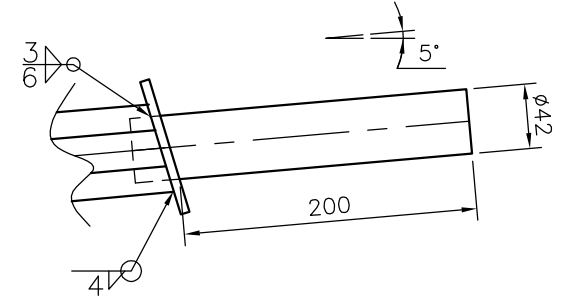


1m 2m 3m 4m SINGLE CURVED OUTREACH






1m 2m 3m DOUBLE CURVED OUTREACH



TOP SPIGOT DETAIL

- NOTE:
- DESIGN CRITERIA: AS1170.2
 WIND REGION A & W
 TERRAIN CATEGORY 2
 - MATERIAL: POLE: ASTM A572 Gr50 TH=3mm
 - SURFACE: HOT DIP GALVANIZED PER ASTM A123

| OUTREACH DETAIL | | | | | |
|-----------------|-------------------|-----------|-----------|-----------|------------------|
| ORDER CODE | OUTREACH | LENGTH mm | UPLIFT mm | RADIUS mm | TOP SPIGOT |
| GV1SCOR | 1m SINGLE - 42 OD | 800 | 2150 | 800 | 42mm x 200mm LG. |
| GV2SCOR | 2m SINGLE - 42 OD | 1800 | 2150 | 1500 | |
| GV3SCOR | 3m SINGLE - 42 OD | 2700 | 2150 | 1500 | |
| GV4SCOR | 4m SINGLE - 42 OD | 3800 | 2150 | 1500 | |
| GV1DCOR | 1m DOUBLE - 42 OD | 800 | 2150 | 800 | |
| GV2DCOR | 2m DOUBLE - 42 OD | 1800 | 2150 | 1500 | |
| GV3DCOR | 3m DOUBLE - 42 OD | 2700 | 2150 | 1500 | |

Gess Ltd.
 12 Offenhauser Drive, East Tamaki, Auckland, 2013
 P: 0800 43 77 00 | Web: www.gess.co.nz

(Copyright. This design, information and drawing remain the property of GESS and may not be used or copied without approval in writing from GESS.)

DWG SIZE A4H CLASS CODE

CUSTOMER

DESCRIPTION 1m 2m 3m & 4m Curved Outreach

| | | | | | | | | | |
|---------|------------|-------------------------|----------------|-----|------------|----------|--|----------|-------------|
| Rev. 0 | 2015.11.18 | ISSUED FOR CONSTRUCTION | DRAWN | CQ2 | 2015-11-18 | MATERIAL | | ORDER NO | |
| REV ID. | DATE | REVISION DESCRIPTION | ENGR | CQ2 | 2015-11-18 | THK(mm) | | SCALE | N |
| | | | CHECKED | | | WT(kg) | | | |
| | | | SPECIFICATIONS | | | | | P/N | :GA COR1000 |