

		WIND AND TERRAIN CATEGORIES									GROUND PLANTED		PAD FOOTING		PILE FOOTING			
Pole Code	Nominal column height (m)	Wind Region A, Terrain Category 2 (To NZS1170)			Wind Region A, Terrain Category 3 (To NZS1170)			Wind Region W, Terrain Category 2 (To NZS1170)			Planting Depth (H1) (mm)	Footing Diameter (D1) (mm)	Pad Size (WxT) (mm)	Pad Reinforcing	Pile Size (D2 x H2) (mm)	Pile Reinforcing		
Flange Base poles		MAXIMUM SAIL AREA (m2)	ULTIMATE BASE MOMENT (kNm)	ULTIMATE BASE SHEAR (kN)	MAXIMUM SAIL AREA (m2)	ULTIMATE BASE MOMENT (kNm)	ULTIMATE BASE SHEAR (kN)	MAXIMUM SAIL AREA (m2)	ULTIMATE BASE MOMENT (kNm)	ULTIMATE BASE SHEAR (kN)								
GV4FBFLC3	4	2.00	9.20	2.60	2.50	9.40	2.60	1.50	9.20	2.60			1300x500	HD16 @300 Both Ways, Top and Bottom	700x1000	8HD20 R10 SPIRAL 300mm PITCH		
GV6FBFLC3	6	1.60	12.50	2.50	2.10	12.70	2.50	1.10	11.90	2.60			1400x500		700x1100			
GV8FBFLC3	8	1.45	18.50	2.90	2.10	18.60	2.80	1.00	18.10	3.00			1600x500		700x1200			
GV10FBFLC3	10	1.15	28.00	3.80	2.00	28.30	3.60	0.75	28.20	4.10			1800x500		800x1300			
GV12FBFLC3	12	0.90	33.60	4.10	1.65	33.80	3.90	0.55	34.30	4.60			1900x500		800x1400			
GV4FBRFLC3	4	2.50	11.40	3.10	3.00	11.20	3.00	2.00	12.00	3.30			1400x500		700x1000			
GV6FBRFLC3	6	2.10	16.00	3.20	2.70	16.00	3.10	1.50	15.70	3.30			1500x500		700x1100			
GV8FBRFLC3	8	1.45	19.10	3.10	2.10	19.00	3.00	1.00	19.10	3.30			1600x500		700x1200			
GV10FBRFLC3	10	1.25	30.00	4.00	2.10	29.70	3.80	0.85	30.70	4.30			1800x500		800x1300			
GV12FBRFLC3	12	0.90	34.00	4.10	1.60	33.40	3.80	0.50	33.50	4.40			1900x500		800x1400			
Ground Plant poles																		
GV4GPF3	4	2.00	9.30	2.50	2.50	9.40	2.50	1.50	9.20	2.60	1200	400						
GV6GPF3	6	1.30	11.20	2.40	1.80	11.60	2.40	1.00	11.90	2.70	1200	400						
GV8GPF3	8	1.60	20.50	3.30	2.30	20.50	3.20	1.10	20.40	3.60	1500	500						
GV10GPF3	10	1.10	27.20	3.80	2.00	28.30	3.60	0.75	28.20	4.10	1700	500						
GV12GPF3	12	1.00	35.60	4.30	1.80	35.70	4.00	0.64	36.60	4.70	2000	500						
GV4GPR3	4	2.50	11.40	3.10	3.00	11.20	3.00	2.00	12.00	3.30	1300	400						
GV6GPR3	6	1.80	14.50	2.90	2.30	14.20	2.80	1.30	14.40	3.00	1300	400						
GV8GPR3	8	1.80	22.40	3.50	2.70	23.20	3.50	1.40	23.90	3.90	1500	500						
GV10GPR3	10	1.25	30.00	4.00	2.10	29.70	3.80	0.85	30.70	4.30	1700	500						
GV12GPR3	12	1.10	37.90	4.40	1.90	37.40	4.10	0.65	37.40	4.70	2000	500						

NOTES

1. THE TABLE PROVIDES GUIDANCE FOR THE SELECTION OF GENERIC FOOTINGS FOR FLOODLIGHT COLUMNS AT VARIOUS LOCATIONS IN NEW ZEALAND
2. THE MAXIMUM SAIL AREAS AND BASE REACTIONS HAVE BEEN GENERATED BY VALMONT INDUSTRIES - REFER ANY QUERIES TO GESS LTD 09 601 9488 OR 0800 437 700
3. FOOTING DESIGN, DETAILING AND CERTIFICATION HAS BEEN CARRIED OUT BY ACH CONSULTING LTD – REFER ANY QUERIES TO VOYTEK PH. 09 839 7050
4. "GOOD GROUND" TO NZS 3604 ASSUMED IN FOOTING DESIGN (FIRM CLAY OR SIMILAR) – CONFIRM ON SITE. IF SUBSOIL CONDITIONS ON SITE DO NOT CONFORM WITH "GOOD GROUND" DESCRIPTION SEEK GEOTECHNICAL ENGINEER'S ADVICE.
5. FOOTING DESIGN ASSUMES THAT NO EXCAVATIONS DEEPER THAN 500MM ARE CARRIED OUT WITHIN 3M OF THE COLUMN PAD OR PILE.
6. FOR FOOTING DETAILS REFER TO SHEET S02.

FOOTINGS DESIGNED BY:



3 Kawakawa Place
Westgate
PO Box 84 287
Westgate 0657, Auckland
Ph: 09 839 7050
Email: info@achoconsulting.co.nz

gess
General Engineering Services & Solutions
Postal Address: PO Box 204062, Highbrook, 2161, New Zealand
Ph: 0800 437 700
Web: www.gess.co.nz

Issue	Date	Issue Description	By
A	15/01/18	FOR PRODUCTION	MO

Date:	15/01/2018
Cad Ref:	
Designed:	VW
Drawn:	MO
Checked:	<i>[Signature]</i>

PROJECT
GENERIC FOOTINGS FOR GESS FLOODLIGHT COLUMNS

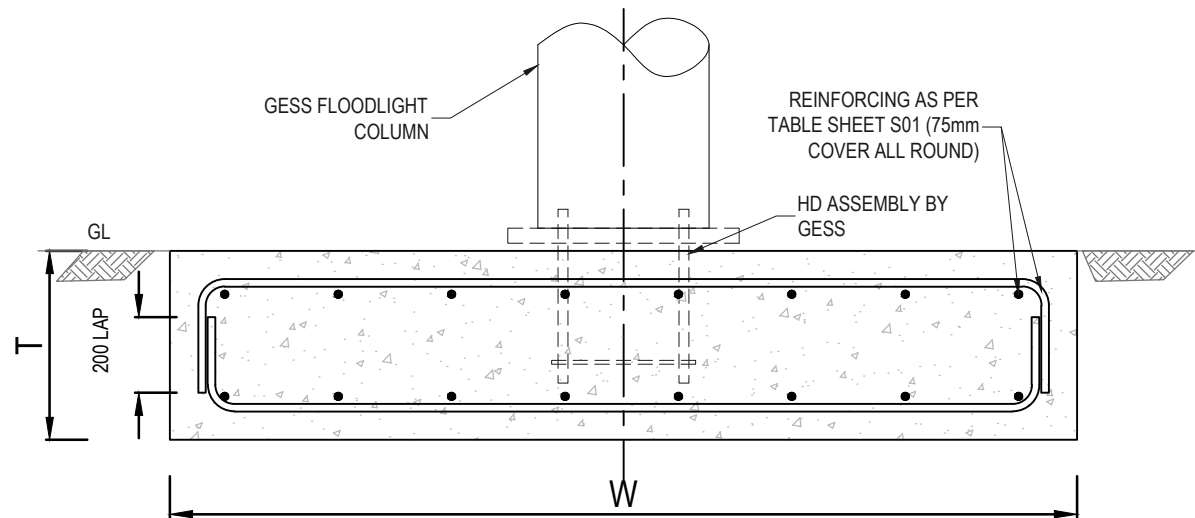
DRAWING TITLE
STANDARD FOOTINGS DETAILS SHEET 1

Check all dimensions and levels on site before commencing construction. This drawing and design remains the property of Gess Ltd and may not be reproduced without the written permission of Gess Ltd.

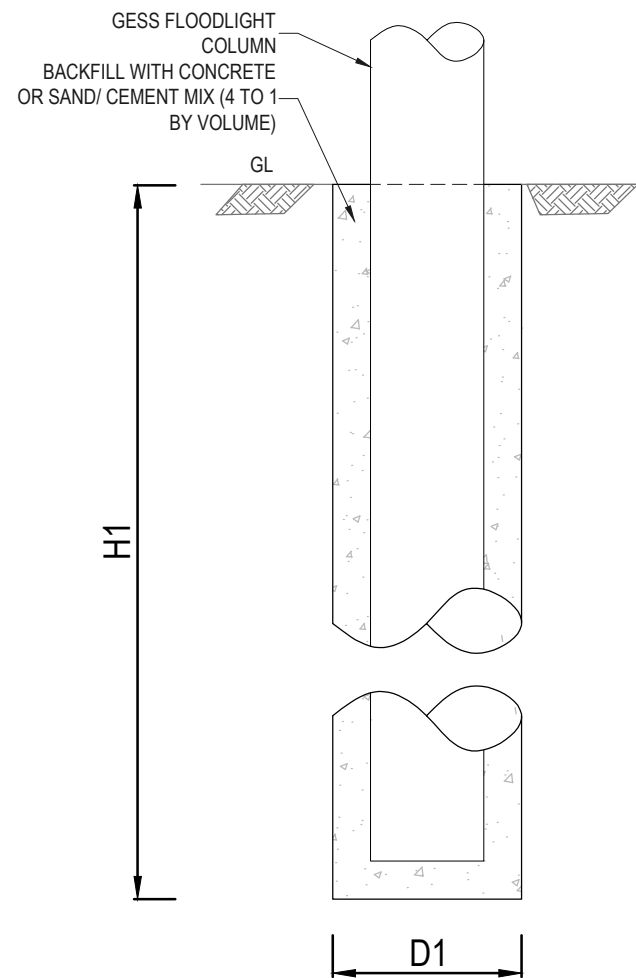
PAPER SIZE	A3	A1	JOB No.	DWG No.	ISSUE
SCALE	NTS		170858	S01	A

ENGINEERS NOTES:

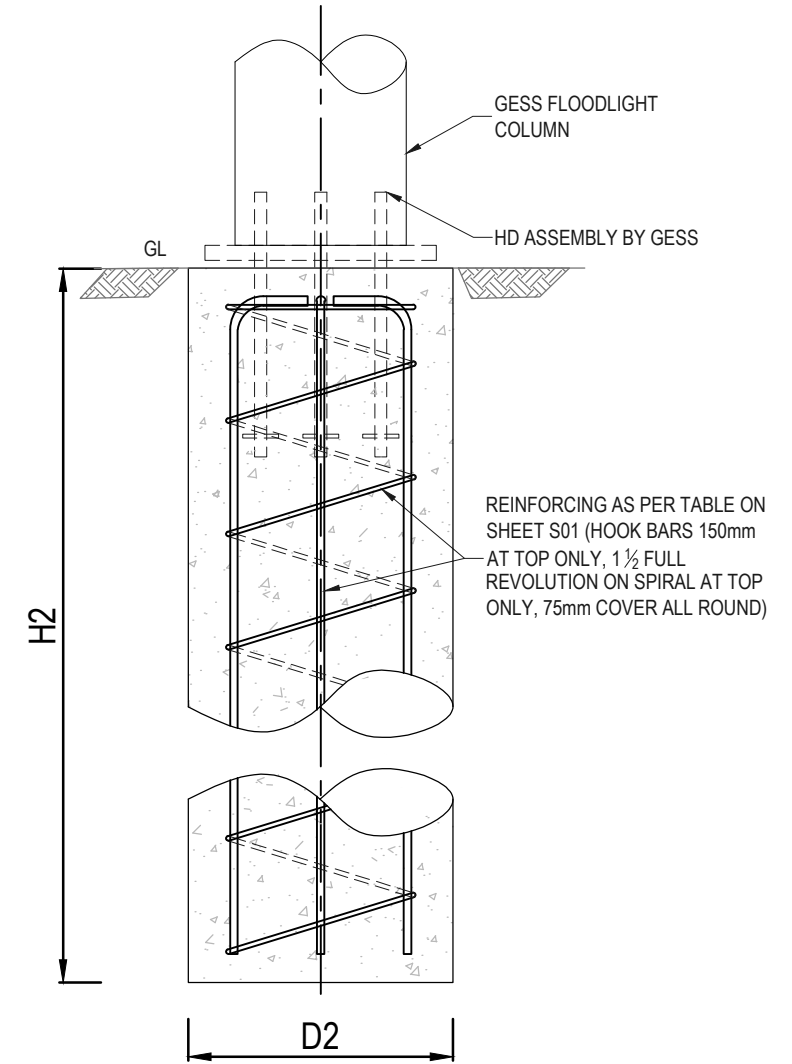
1. FOOTING DESIGN, DETAILING AND CERTIFICATION HAS BEEN CARRIED OUT BY ACH CONSULTING LTD - REFER ANY QUERIES TO VOYTEK MOB. 0211555095
2. "GOOD GROUND" TO NZS 3604 ASSUMED IN FOOTING DESIGN (FIRM CLAY OR SIMILAR) - CONFIRM ON SITE. IF SUBSOIL CONDITIONS DO NOT CONFORM WITH "GOOD GROUND" DESCRIPTION SEEK GEOTECHNICAL ENGINEER'S ADVICE.
3. FOOTING DESIGN ASSUMES THAT NO EXCAVATIONS DEEPER THAN 500MM ARE CARRIED OUT WITHIN 3M OF THE COLUMN PAD OR PILE.
4. CONTRACTOR IS FULLY RESPONSIBLE FOR THE SAFETY AND STABILITY OF EXCAVATIONS DURING CONSTRUCTION.
5. ALL CONCRETE IN FOOTINGS TO BE 25MPA, HD BARS ARE 500MPA, R BARS 300MPA YIELD STRENGTH
6. AT LEAST 7 DAY TO HAVE ELAPSED BETWEEN CONCRETE POUR AND COLUMN INSTALLATION



COLUMN PAD FOOTING
SCALE NTS



GROUND PLANTED COLUMN
SCALE NTS



FLOODLIGHT COLUMN PILE FOOTING
SCALE NTS

FOOTINGS DESIGNED BY:



3 Kawakawa Place
Westgate
PO Box 84 287
Westgate 0657, Auckland
Ph: 09 839 7050
Email: info@achconsulting.co.nz

Postal Address: PO Box 204062, Highbrook, 2161, New Zealand
Ph: 0800 437 700
Web: www.gess.co.nz

Issue	Date	Issue Description	By
A	15/01/18	FOR PRODUCTION	MO

Date:	15/01/2018
Cad Ref:	
Designed:	VW
Drawn:	MO
Checked:	<i>[Signature]</i>

PROJECT	GENERIC FOOTINGS FOR GESS FLOODLIGHT COLUMNS
---------	--

DRAWING TITLE	STANDARD FOOTINGS DETAILS SHEET 2
---------------	-----------------------------------

Check all dimensions and levels on site before commencing construction. This drawing and design remains the property of Gess Ltd and may not be reproduced without the written permission of Gess Ltd.					
PAPER SIZE	A3	A1	JOB No.	DWG No.	ISSUE
SCALE	NTS		170858	S02	A