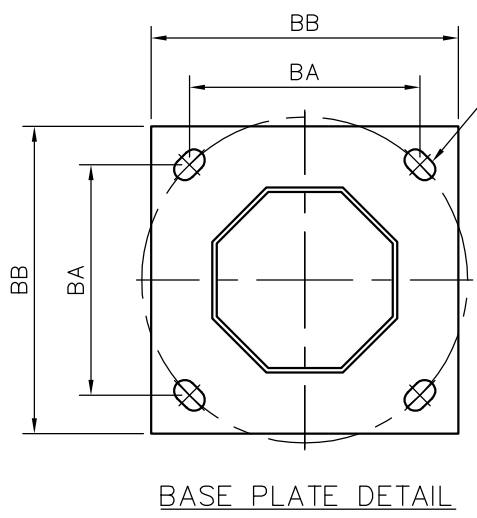
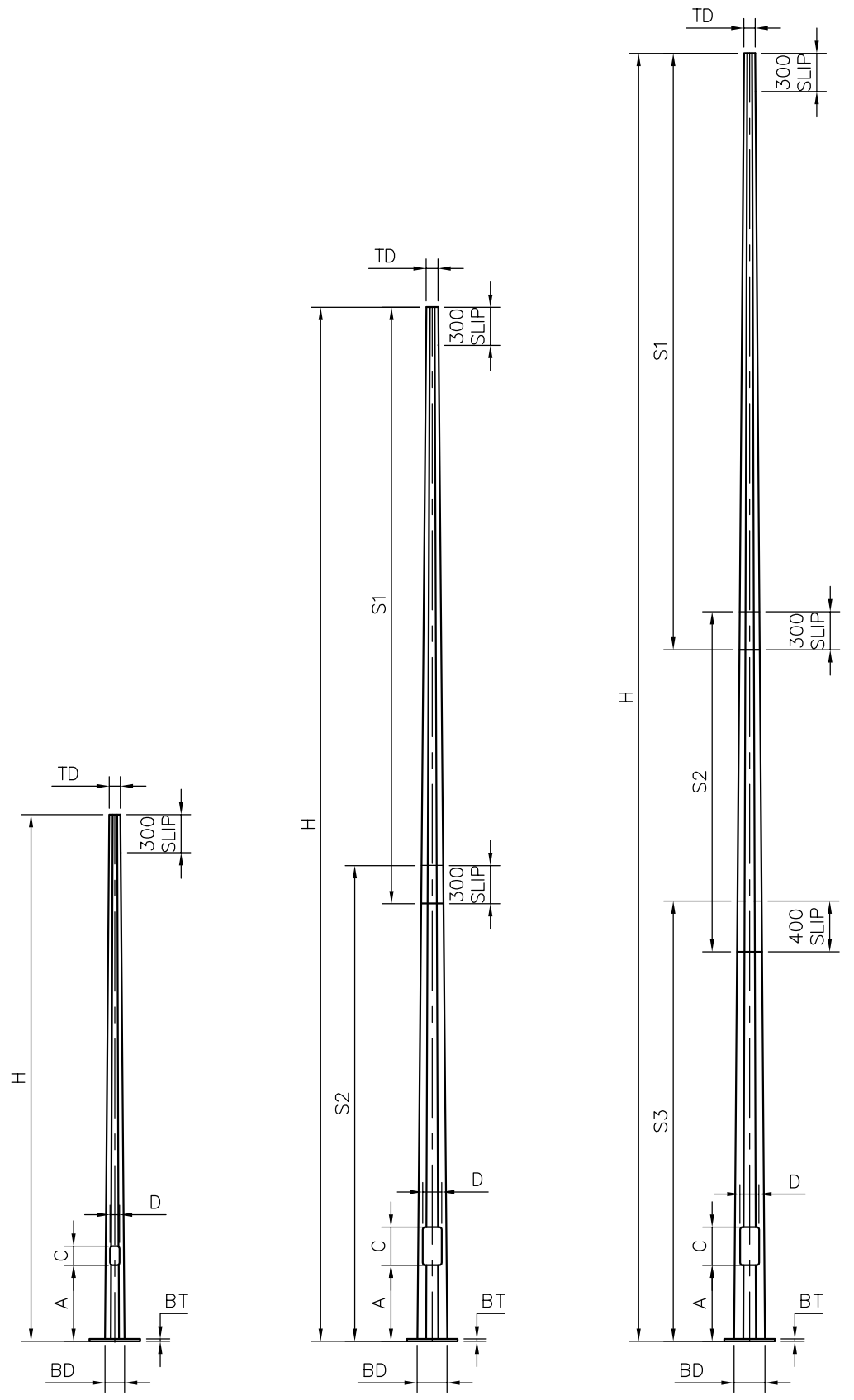


ORDER CODE	NOMINAL MOUNTING HEIGHT mm	STANDARD										DOOR DETAIL		
		H mm	BD mm	TD mm	THK. mm	S1 mm	S2 mm	S3 mm	BT mm	BA mm	BB mm	A mm	C mm	D mm
		GV6FB3	6000	4150	169	94	3	-	-	-	20	240	330	600
GV8FB3	8000	6150	198	94	3	4700	1750	-	20	240	330	600	200	85
GV10FB3	10000	8150	234	94	3	4700	3750	-	25	300	400	600	300	150
GV12FB3	12000	10150	263	94	3	4700	2680	3470	25	300	400	600	300	150
GV14FB3	14000	12150	299	94	3	4700	5100	3050	25	300	400	600	300	150

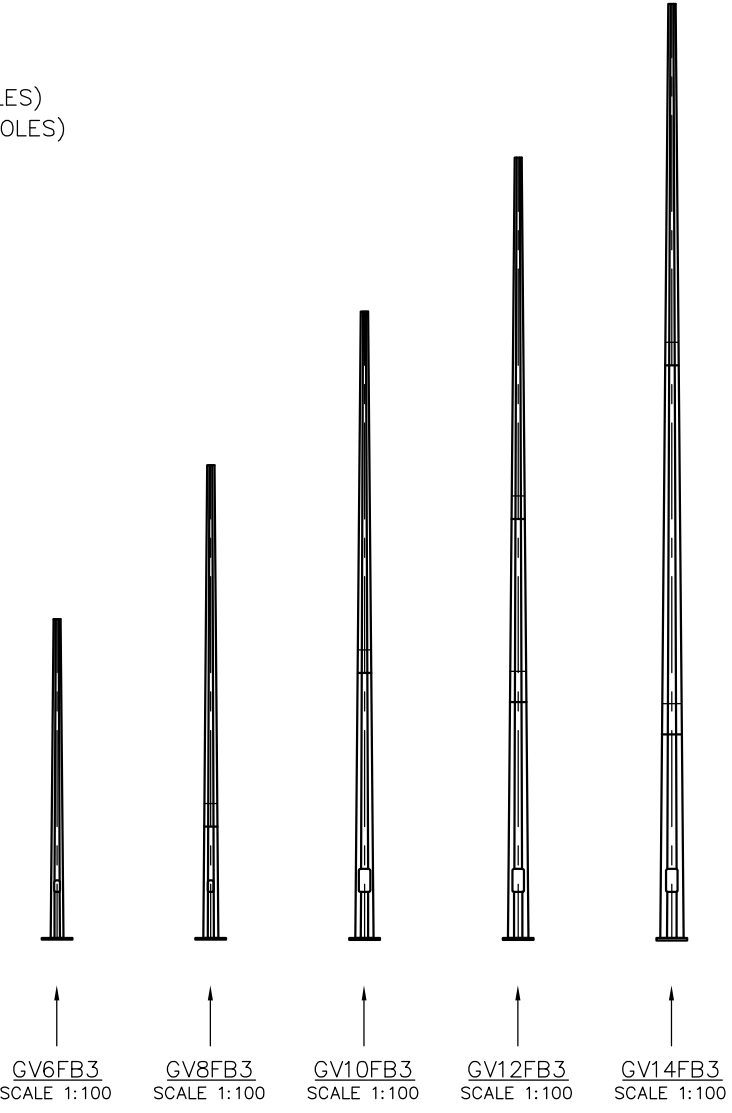


6m NMH.  
FLANGE BASED POLE

8m & 10m NMH.  
FLANGE BASED POLE

12m & 14m NMH.  
FLANGE BASED POLE

- NOTE:
- DESIGN CRITERIA: AS1170.2  
 WIND REGION A  
 TERRAIN CATEGORY 2
  - MATERIAL:  
 POLE: ASTM A572 Gr50, TH=3mm  
 BASE PLATE: Q345B
  - THE DOOR MUST BE AT 90° TO DIRECTION OF OUTREACH
  - SURFACE: HOT DIP GALVANIZED PER ASTM A123



		Gess Ltd. 12 Offenhauser Drive, East Tamaki, Auckland, 2013 P: 0800 43 77 00   Web: www.gess.co.nz	
(Copyright. This design, information and drawing remain the property of GESS and may not be used or copied without approval in writing from GESS.)			
DWG SIZE <b>A4H</b>		CLASS CODE <b>---</b>	
CUSTOMER		DESCRIPTION <b>6m 8m 10m 12m &amp; 14m FB POLE</b>	
DRAWN <b>CQ2</b>	2015-11-18	MATERIAL	ORDER NO
ENGR <b>CQ2</b>	2015-11-18	THK(mm)	SCALE <b>N</b>
CHECKED	2016-05-04	WT(kg)	P/N :GA FBSLC2000
REV ID.	DATE	REVISION DESCRIPTION	SPECIFICATIONS