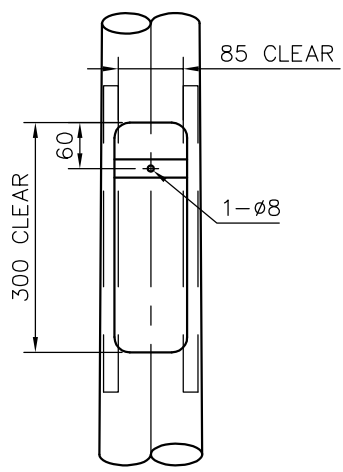
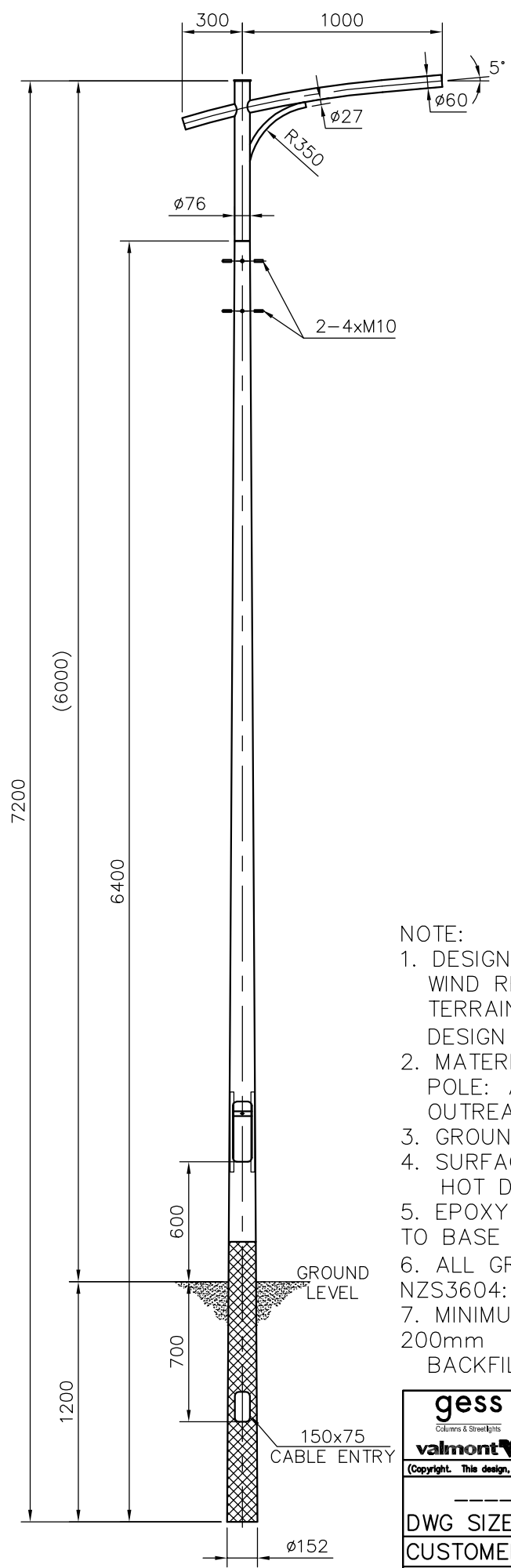


DESIGN APPROVAL
 COMPLIANT NON-COMPLIANT
 NAME: _____
 SIGN: _____
 DATE: _____



HAND DOOR DETAIL

NOTE:

1. DESIGN CRITERIA: AS1170.2
 WIND REGION A
 TERRAIN CATEGORY 2
 DESIGN WIND SPEED: 45m/s
2. MATERIAL:
 POLE: ASTM A572 Gr50 TH=3mm
 OUTREACH: Q235B
3. GROUND PLANTED
4. SURFACE:
 HOT DIP GALVANIZED PER ASTM A123
5. EPOXY PAINTED FROM 200mm ABOVE GROUND LEVEL TO BASE OF POLE.
6. ALL GROUND ASSUMED "GOOD GROUND" AS PER NZS3604:1999
7. MINIMUM HOLE DIAMETER = POLE BASE WIDTH + 200mm
 BACKFILL MATERIAL TO BE WELL COMPACTED GAP40.

 Columns & Streetlights 		Gess Ltd. 12 Offenhauser Drive, East Tamaki, Auckland, 2013 P: 0800 43 77 00 Web: www.gess.co.nz
(Copyright. This design, information and drawing remain the property of GESS and may not be used or copied without approval in writing from GESS.)		

----- 5 10 15 20 25 30 35 -----

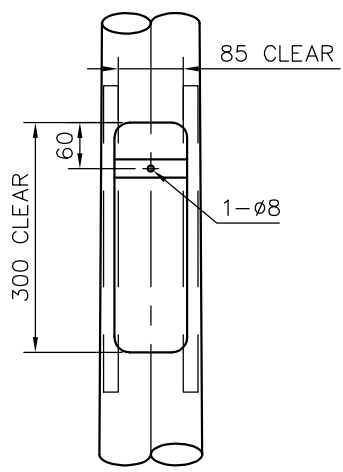
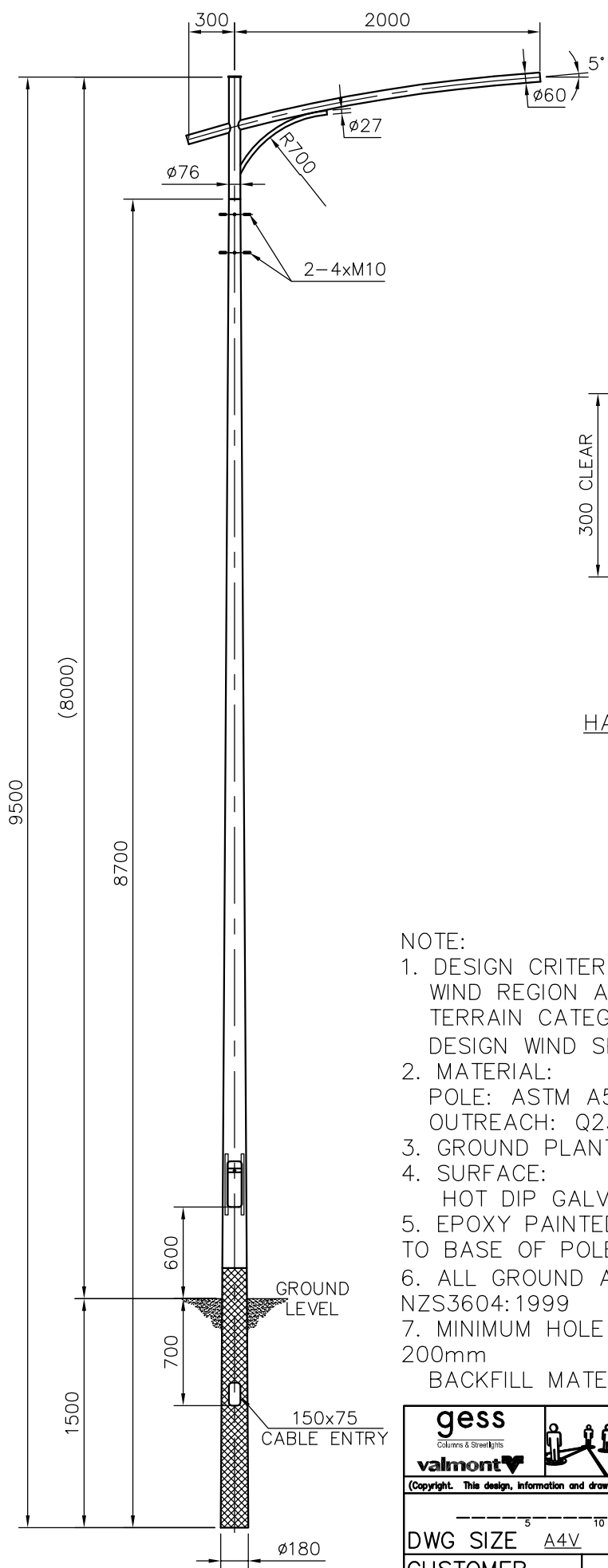
DWG SIZE A4V CLASS CODE IA

CUSTOMER _____

DESCRIPTION LP 6m & 1m Outreach

			DRAWN	CQ2	2016-11-01	MATERIAL		ORDER NO		
			ENGR	CQ2	2016-11-01	THK(mm)		SCALE	N	
			CHECKED			WT(kg)				
REV ID.	DATE	REVISION DESCRIPTION	SPECIFICATIONS				P/N :LE16546-1			

DESIGN APPROVAL
 COMPLIANT NON-COMPLIANT
 NAME: _____
 SIGN: _____
 DATE: _____



HAND DOOR DETAIL

NOTE:

1. DESIGN CRITERIA: AS1170.2
 WIND REGION A
 TERRAIN CATEGORY 2
 DESIGN WIND SPEED: 45m/s
2. MATERIAL:
 POLE: ASTM A572 Gr50 TH=3mm
 OUTREACH: Q235B
3. GROUND PLANTED
4. SURFACE:
 HOT DIP GALVANIZED PER ASTM A123
5. EPOXY PAINTED FROM 200mm ABOVE GROUND LEVEL TO BASE OF POLE.
6. ALL GROUND ASSUMED "GOOD GROUND" AS PER NZS3604:1999
7. MINIMUM HOLE DIAMETER = POLE BASE WIDTH + 200mm
 BACKFILL MATERIAL TO BE WELL COMPACTED GAP40.

 Columns & Streetlights 		Gess Ltd. 12 Offenhauser Drive, East Tamaki, Auckland, 2013 P: 0800 43 77 00 Web: www.gess.co.nz
(Copyright. This design, information and drawing remain the property of GESS and may not be used or copied without approval in writing from GESS.)		

----- 5 10 15 20 25 30 35 -----

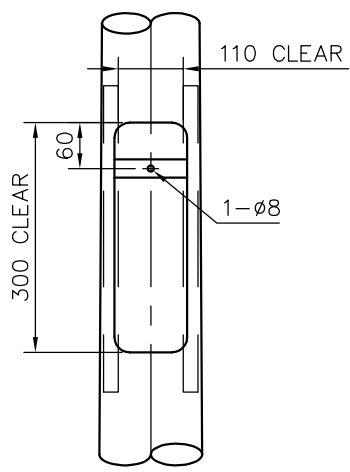
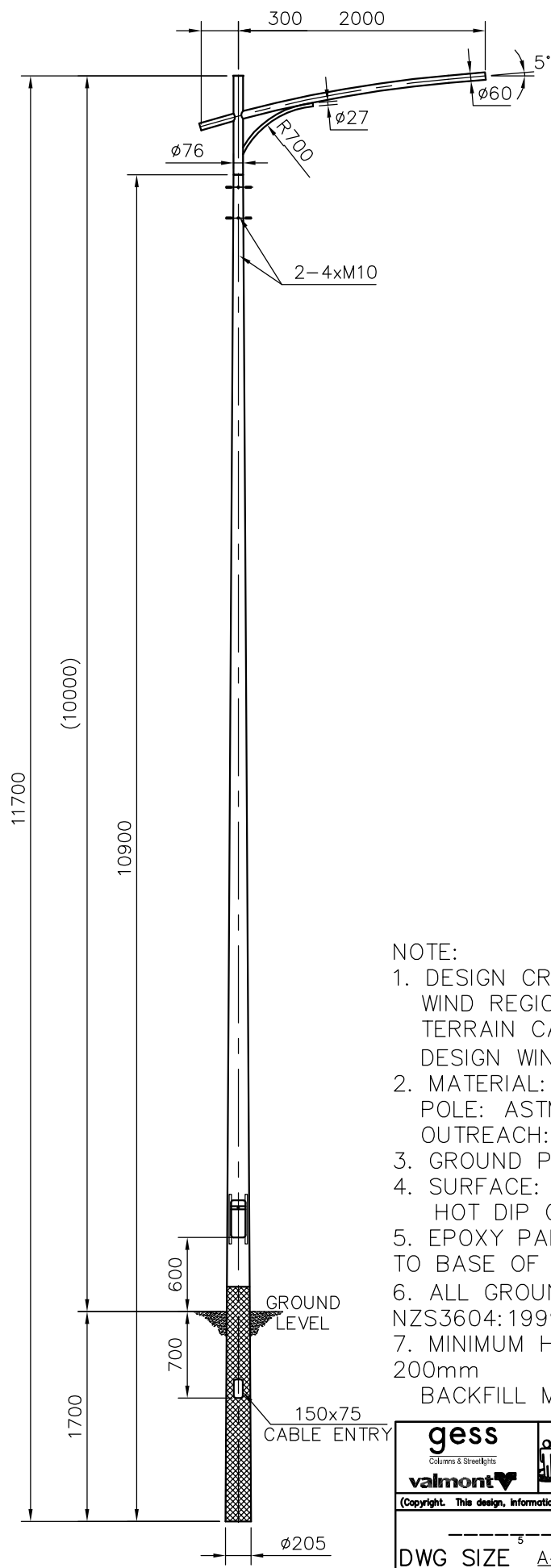
DWG SIZE A4V CLASS CODE IA

CUSTOMER _____

DESCRIPTION LP 8m & 2m Outreach

			DRAWN	CQ2	2016-11-01	MATERIAL		ORDER NO		
			ENGR	CQ2	2016-11-01	THK(mm)		SCALE	N	
			CHECKED			WT(kg)				
REV ID.	DATE	REVISION DESCRIPTION	SPECIFICATIONS				P/N :LE16546-2			

DESIGN APPROVAL
 COMPLIANT NON-COMPLIANT
 NAME: _____
 SIGN: _____
 DATE: _____

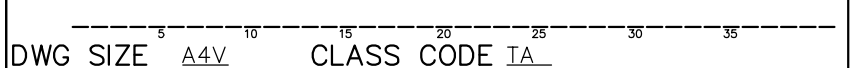


HAND DOOR DETAIL

NOTE:

1. DESIGN CRITERIA: AS1170.2
 WIND REGION A
 TERRAIN CATEGORY 2
 DESIGN WIND SPEED: 45m/s
2. MATERIAL:
 POLE: ASTM A572 Gr50 TH=3mm
 OUTREACH: Q235B
3. GROUND PLANTED
4. SURFACE:
 HOT DIP GALVANIZED PER ASTM A123
5. EPOXY PAINTED FROM 200mm ABOVE GROUND LEVEL TO BASE OF POLE.
6. ALL GROUND ASSUMED "GOOD GROUND" AS PER NZS3604:1999
7. MINIMUM HOLE DIAMETER = POLE BASE WIDTH + 200mm
 BACKFILL MATERIAL TO BE WELL COMPACTED GAP40.

 Columns & Streetlights 		Gess Ltd. 12 Offenhauser Drive, East Tamaki, Auckland, 2013 P: 0800 43 77 00 Web: www.gess.co.nz
(Copyright. This design, information and drawing remain the property of GESS and may not be used or copied without approval in writing from GESS.)		



DWG SIZE A4V	CLASS CODE IA
CUSTOMER	
DESCRIPTION	LP 10m & 2m Outreach

REV ID.	DATE	REVISION DESCRIPTION	SPECIFICATIONS						P/N :LE16546-3