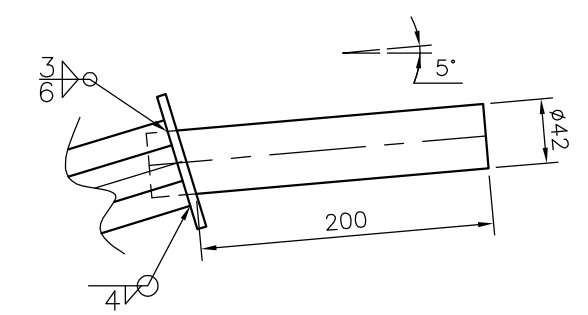
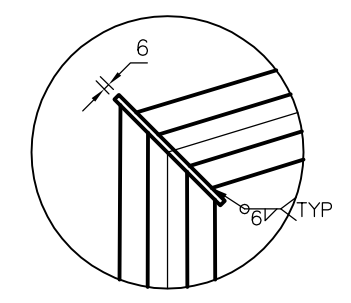


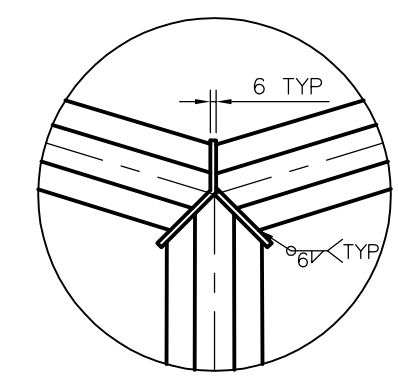
1m 2m 3m 4m SINGLE MITRED OUTREACH



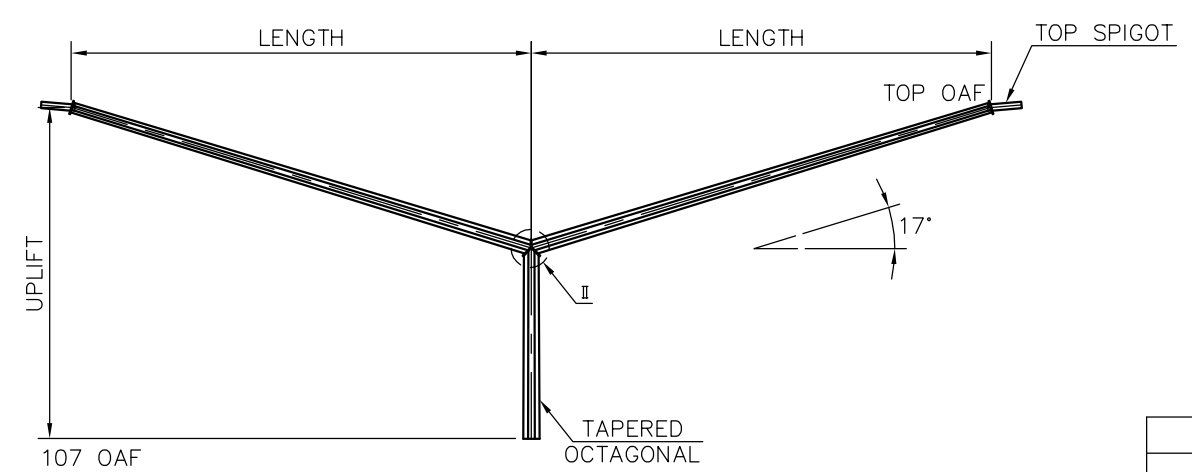
TOP SPIGOT DETAIL



DETAIL I






DETAIL II



1m 2m 3m DOUBLE MITRED OUTREACH

- NOTE:
 1. DESIGN CRITERIA: AS1170.2
 WIND REGION A & W
 TERRAIN CATEGORY 2
 2. MATERIAL: POLE: ASTM A572 Gr50 TH=3mm
 3. SURFACE: HOT DIP GALVANIZED PER ASTM A123

OUTREACH DETAIL					
No.	OUTREACH	LENGTH	UPLIFT	TOP OAF	TOP SPIGOT
GV1SMOR	1m SINGLE-MITRED	800	2150	60	42 OD x 200 LG.
GV2SMOR	2m SINGLE-MITRED	1800	2150	60	
GV3SMOR	3m SINGLE-MITRED	2700	2150	60	
GV4SMOR	4m SINGLE-MITRED	3800	2150	60	
GV1DMOR	1m DOUBLE-MITRED	800	2150	60	
GV2DMOR	2m DOUBLE-MITRED	1800	2150	60	
GV3DMOR	3m DOUBLE-MITRED	2700	2150	60	

Gess Ltd.
 12 Offenhauser Drive, East Tamaki, Auckland, 2013
 P: 0800 43 77 00 | Web: www.gess.co.nz

(Copyright. This design, information and drawing remain the property of GESS and may not be used or copied without approval in writing from GESS.)

DWG SIZE A4H CLASS CODE

CUSTOMER

DESCRIPTION 1m 2m 3m & 4m Mitred Outreach

Rev. 0	2016.05.04	ISSUED FOR CONSTRUCTION	DRAWN	CQ2	2016-05-04	MATERIAL	ORDER NO
REV ID.	DATE	REVISION DESCRIPTION	ENGR	CQ2	2016-05-04	THK(mm)	SCALE
			CHECKED			WT(kg)	P/N :GA MOR1000
			SPECIFICATIONS				